

► Position Sensor

PS8-22 / 23 / 25 / 30 / 31 / 60 Series



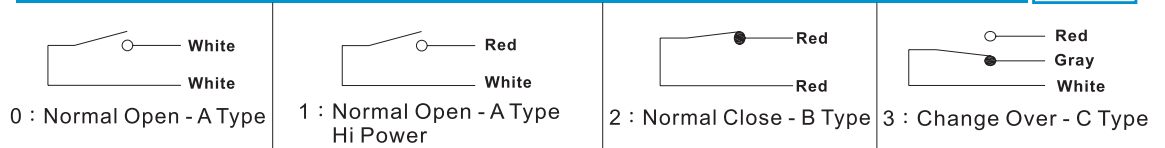
► Switch Specifications of 22 / 23 / 25 / 30 / 31 / 60 Series

Characteristics	Contact Type	Unit	(0) Normal Open (For 23,25,30,31)	(1) High Power (For 25,30,31)	(2) Normal Close (For 30)	Change (3) Over (For 30)
· Switched Power (max)		W	5 / 10	70	5	5
· Switched Voltage DC (max)		V	160 / 200	200	175	175
· Switched Voltage AC,RMS value (max)		V	110 / 110	250	125	125
· Switched Current DC (max )		mA	250 / 500	1000	400	400
· Switched Current AC,RMS value (max)		mA	250 / 500	1000	280	280
· Contact Resistance (initial max)		mΩ	100	90	140	140
· Insulation Resistance (min)		MΩ	10 <sup>6</sup>	10 <sup>6</sup>	10 <sup>3</sup>	10 <sup>3</sup>
· Operate Time -		ms	0.1 / 0.4	0.35	1.0	1.0
· Operating ambient		°C	-55 ~70	-55~70	-55 ~70	-55 ~70



► Switch Types

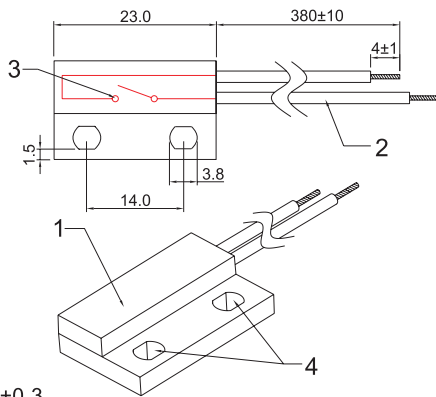
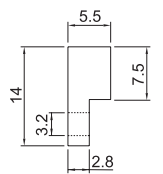
Table 1



► Model Dimensions

Table 2

23 Series

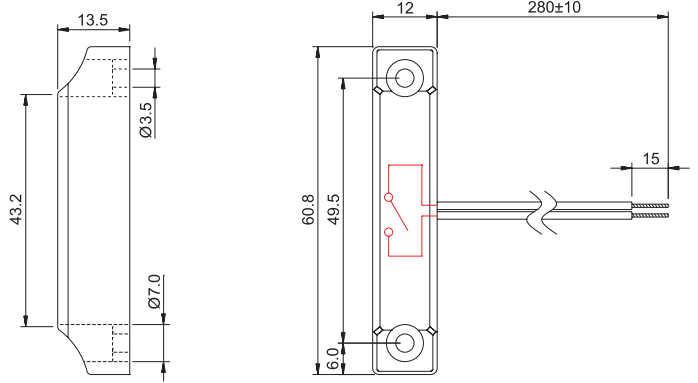


► Structure

1. Body
2. Wire
3. Reed Switch
4. Nut

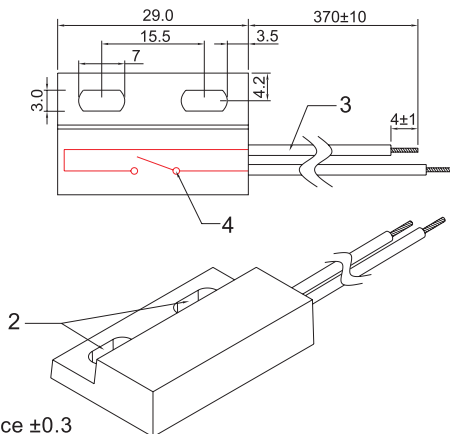
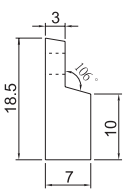
Unit : mm Tolerance ±0.3

PS8-60-0-PVNO



Unit : mm Tolerance ±0.3

30 Series



► Structure

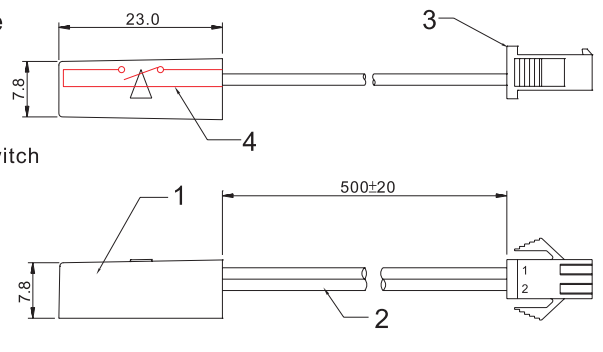
1. Body
2. Nut
3. Wire
4. Reed Switch

Unit : mm Tolerance ±0.3

PS8-22-0-W071

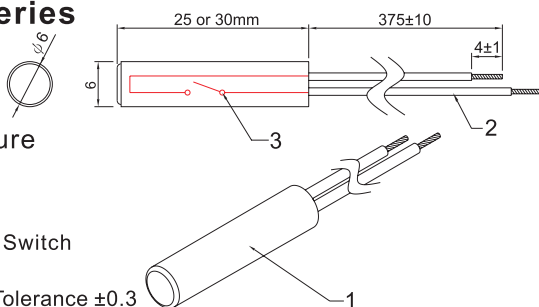
► Structure

1. Body
2. Wire
3. Housing
4. Reed Switch



Unit : mm Tolerance ±0.3

25 / 31 Series



► Structure

1. Body
2. Wire
3. Reed Switch

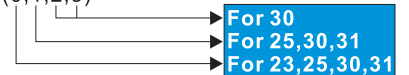
Unit : mm Tolerance ±0.3

► Ordering Information

A Complete part number is represented by the digits below :

PS8-XX-X - XX XX

- ① Model Number - Table 2 (23,25,30,31)
- ② Switch Type - Table 1 (0,1,2,3)



- ③ Wire Specifications - Table 3 - Material(PV=PVC ; TF=Teflon) - Series(NO= Tinned leads ; CN=Cont)

☆☆☆ The wires are not aligned at the end ☆☆☆